



Motion Sensor

INFRASCAN® 750WPR5 Series



The benchmark for reliability

The Clipsal 750WPR5 Series Outdoor Infrascan has been designed for ongoing performance in harsh conditions, utilising state-of-the-art passive infrared (PIR) motion sensor technology along with a robust UV protected housing made from tried and tested materials. The Infrascan is well recognised as the benchmark in the industry for IP66 motion sensors. Providing long lasting detection of movement up to 18m with load control of LEDs and many other applications.

Range

Cat. No.	Description
750WPR5-GY	Infrascan Motion Sensor, IP66 – Grey Body
750WPR5-BK	Infrascan Motion Sensor, IP66 – Black Body



clipsal.com/sensors

Benefits

- Automatically switching lighting on when movement is detected, helping to improve security around building perimeters
- Helping to provide peace of mind and convenience at night
- Lights are on only when needed, improves energy savings, and reduces operating costs
- Proven UV protected housing

Features

- Robust relay with 300W LED load rating
- Ingress protection rating of IP66
- Manual override option allows for timing feature to be disabled for 8 hours
- 5-year product warranty

Life Is On



INFRASCAN® Outdoor Motion Sensor



Specifications			
Operating voltage	220 - 240 Vac, 50 Hz	Conductors required	3 WIRE
Max load current	LED: 300 W, Incandescent: 2400 W, Fluorescent: 2400VA	Neutral Required	Yes
Min load wattage	0 W	Operating Temperature Range	0° - 50 °C
Max off-state leakage Current	0 mA	Warm-up time	30 seconds
Stand-By Power Consumption	< 1 W	Rated detection field at maximum sensitivity	18 m radius x 110 °
Optimal mounting height for rated detection field	2.4 m with sensor head vertically oriented	Mounting surface	Wall or ceiling mount (flat surface required)
Timer delay range	5 seconds to 20 minutes, user adjustable	Mounting centres	84 mm
Light level inhibit threshold	Continuous from 1 lux to full sunlight, user adjustable	IP rating	IP66 *
Sensitivity range	18 m to 3.5 m	Cables accommodated	4 terminals, up to 2 x 2.5 mm ² cable per terminal

* IP66 protection rating specified for this product is dependent on the installer to provide an adequate seal against the mounting surface using the gasket provided.

Manual Override Feature

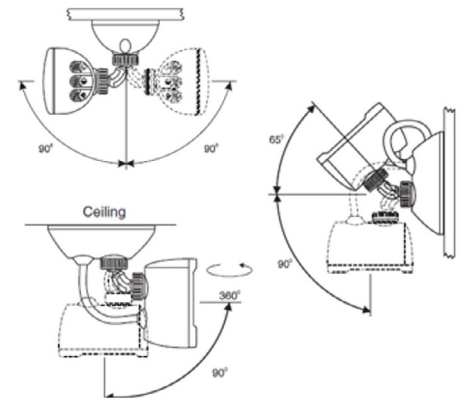
While the sensor is designed to switch a light on for a defined period set by the timer trimpot, the 750WPR5 can also be put into an override mode that keeps the light on for 8 hours.

To do this, from its automatic operation mode simply turn the wall switch controlling the sensor **OFF-ON-OFF-ON** within a 2 second period.

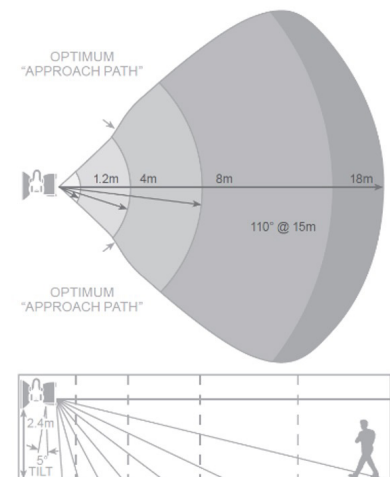
To cancel out of this mode prior to the 8 hours expiring, simply turn the wall switch **OFF-ON** within 2 seconds



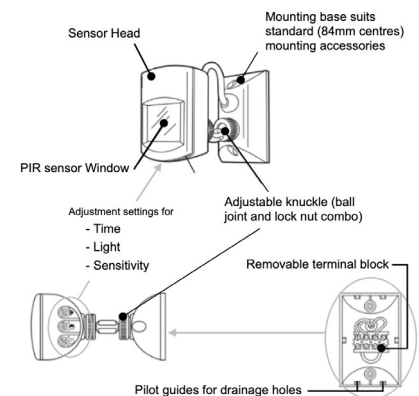
Mounting movement



Detection pattern



Product identification



clipsal.com/sensors

Life Is On



Schneider Electric (Australia) Pty Ltd
2 Banfield Road, Macquarie Park, NSW, 2113
National Customer Care: 13 SEAU (13 7328)